



MPX3500



MPX1950



MPX1150



MPX2600

YASKAWA



MPX1150

Compact Robot

Optimized for Painting

Large global install base backed by Yaskawa's experience and reliability
Straight wrist with 5 kg payload capacity
Easy-to-use touch screen teach pendant

MPX1950

Compact Robot

Optimized for Painting

Large global install base backed by Yaskawa's experience and reliability
Hollow inline wrist with 7 kg payload capacity
Easy-to-use touch screen teach pendant

MPX2600

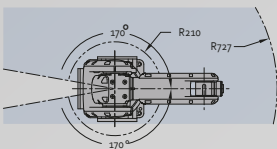
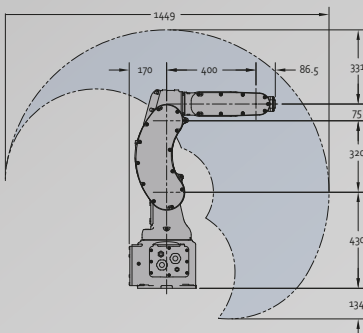
Versatile Medium-Sized Coating Robot

Large global install base backed by Yaskawa's experience and reliability
Best-in-class wrist payload
High-performance axis drives
Easy-to-use touch screen teach pendant

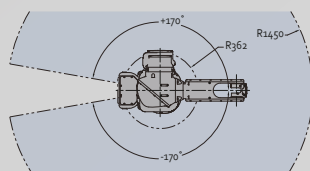
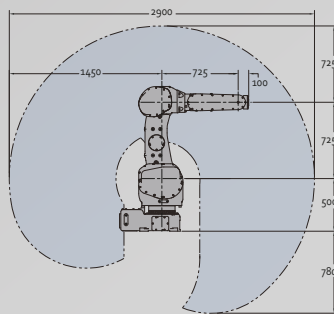
MPX3500

Versatile Coating Robot

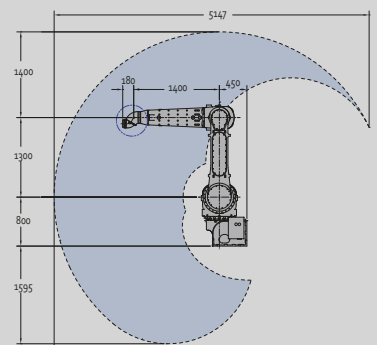
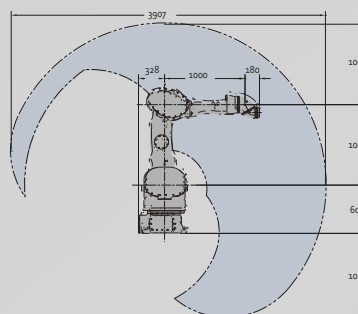
Large global install base backed by Yaskawa's experience and reliability
High wrist/upper arm payload capacity for mounting paint application equipment
Easy-to-use touch screen teach pendant



MotoSim® EG-VRC 2017 (or later) simulation software (optional)



MotoSim® EG-VRC 2017 (or later) simulation software (optional)



MotoSim® EG-VRC 2017 (or later) simulation software (optional)

 : **Mr.Kong** ☎ 087-070-3758

✉ kong.s@thaipollutech.com

Mr.Kumphol ☎ 092-247-1918

✉ kumphol.m@thaipollutech.com

 : **Mr.Sontaya** ☎ 081-372-0544

✉ sontaya.p@thaipollutech.com

Gun Standard Unit

For control volume of shaping air, atomizer air, paint flow rate and color change.

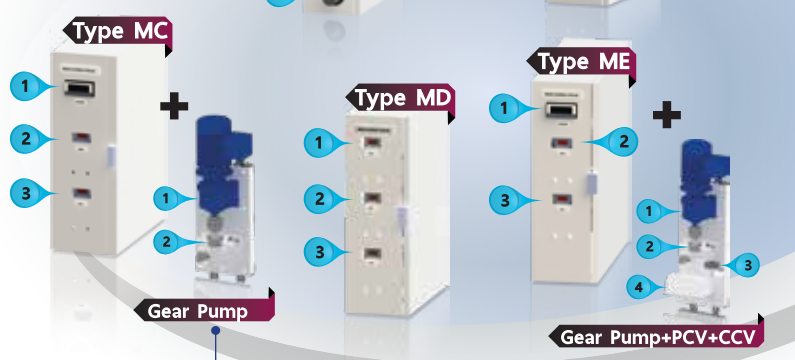


Table 1

	Air Spray Gun Standard Unit(Motoman)					
	Brush Control	PCV	CCV	Gear Pump	MP-2	MP-3
Type MA	-	-	-	-	●	-
Type MB	●	●	-	-	●	-
Type MC	●	-	-	●	●	-
Type MD	●	●	●	-	-	●
Type ME	●	●	●	●	-	●

Table 2

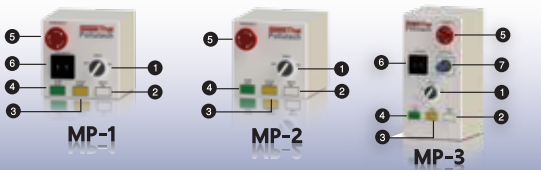
ITEM	Turn Table Specifications		
	TA	TB-2	TB-4
Control Axes	3	3	5
Arm Length (m.)	1.1-2.0	2.4-3.6	2.4-3.6
Motion Range (Arm)	±180°	±180°	±270°
Motion Range (Table)	Continuous rotation		
Maximum Speed (Arm)	90°/3s	90°/4s	90°/4s
Maximum Speed (Table)	90°/1.5s	90°/1.5s	90°/1.5s
Maximum table load (kg.)	20	40	40



Gear Pump : Is a volumetric pump for paint feeding to a spray gun. The pump can deliver precise paint fluid determined by rotation of gear motor.

Mini Pendant

Simple operation pendant for controlling turntable, painting robot and spray gun on-off.



- 1 On - Off Spray gun
- 2 Servo on for robot
- 3 Single cycle start
- 4 Start - stop
- 5 Emergency
- 6 Select job for painting
- 7 Select material for painting

**

- Type MA**
 - 1 Manual control shaping
 - 2 Manual control atomizing
 - 3 Manual control fluid
- Type MB**
 - 1 Automatic control for shaping
 - 2 Automatic control for atomizing
 - 3 Automatic control for fluid
- Type MC**
 - 1 Automatic control for gear pump
 - 2 Automatic control for shaping
 - 3 Automatic control for atomizing
- Type MD**
 - 1 Automatic control for shaping
 - 2 Automatic control for atomizing
 - 3 Automatic control for fluid
- Type ME**
 - 1 Automatic control for gear pump
 - 2 Automatic control for shaping
 - 3 Automatic control for atomizing
- Gear Pump+PCV+CCV**
 - 1 Explosion proof motor
 - 2 Gear pump
 - 3 Fluid regulator
 - 4 CCV (4 Color)

Selection according to the system

Step1 Selection the Robot	Step2 Selection the Gun control (Refer to Table 1)	Step3 Selection the Turn table (Refer to Table 2)
<input type="checkbox"/> MPX1150 <input type="checkbox"/> MPX1950 <input type="checkbox"/> MPX2600 <input type="checkbox"/> MPX3500	<input type="checkbox"/> MA <input type="checkbox"/> MB <input type="checkbox"/> MC <input type="checkbox"/> MD <input type="checkbox"/> ME	<input type="checkbox"/> TA <input type="checkbox"/> TB-2 <input type="checkbox"/> TB-4 <input type="checkbox"/> (Option TX)

Turn Table

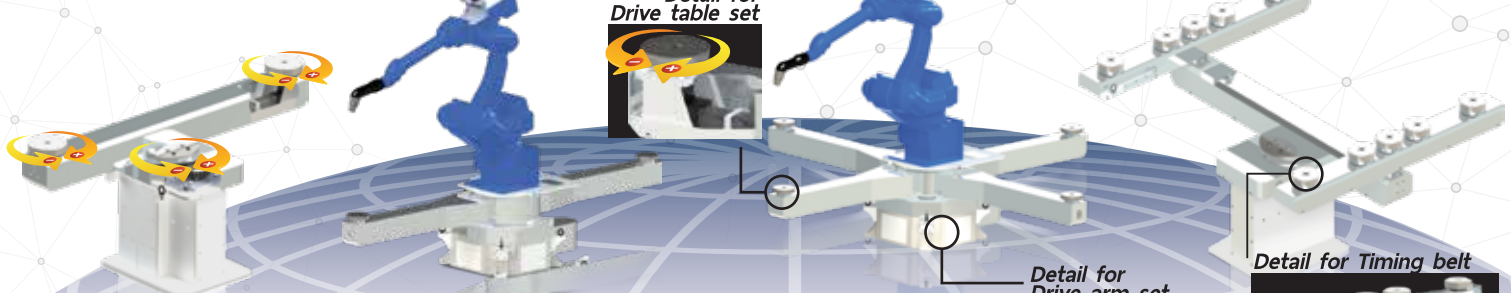


Table | TA

Table | TB-2

Table | TB-4

Multi fixture | TX

Advantage
Small installation space
Fast loading and unloading object
Short installation time
Rotary and spindle spray capable.

Advantage
Suitable for large automotive part, such as bumper. Fast loading and unloading object
Space saving installation because robot on center turn table.

Advantage
The same benefit of TB-2, but add additional 2 arms to allow time for paint setting between layers.

Detail for Drive table set

Detail for Drive arm set

Detail for Timing belt



THAI POLLUTECH MACHINERY CO., LTD.
324/36 Bangna Residence Room 301-302, Floor 3,
Sanphawut Rd. North-Bangna, Bangna,
Bangkok 10260, Thailand
Tel : 02-744-9002 , Fax : 02-744-9003

